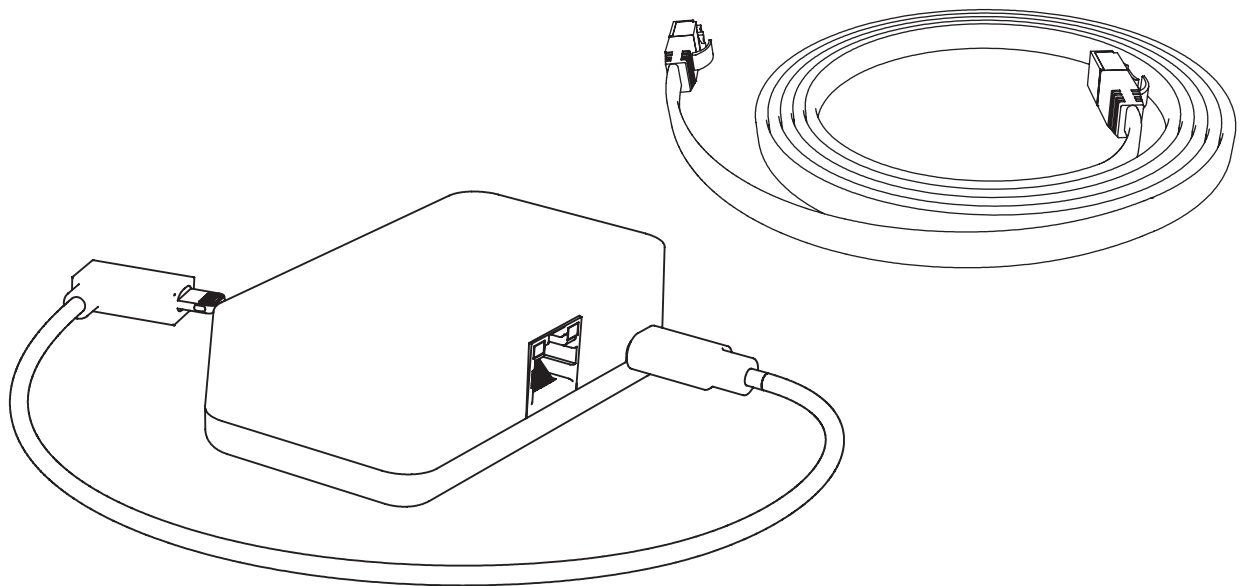


# Gigabit Ethernet + Power Over Ethernet Upgrade Kit

for Zoom Rooms Console

---

## Assembly & Installation

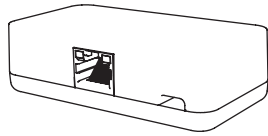


### Compatible with

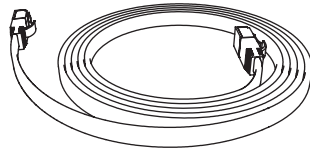
Zoom Room Console for iPad  
Zoom Room Console for iPad mini

### 2-Year Warranty

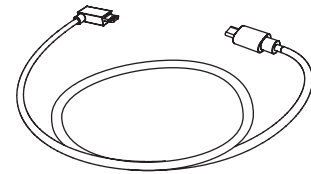
Heckler Design warrants your product to be free from defect in material and workmanship for a period of two years from the original date of purchase. Electronic components are warranted to be free from defect for a period of one year from the original date of purchase. If you discover a defect, please contact [service@hecklerdesign.com](mailto:service@hecklerdesign.com). Heckler Design will repair, at our discretion, using new or refurbished components. If repair is not possible, Heckler Design will replace the item.



Redpark Gigabit + PoE Adapter for iPad



CAT cable



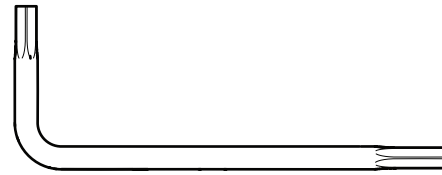
mini USB to Lightning cable

1:1


1x



F160



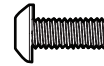
Torx assembly tool

 Keep your special assembly tool in a safe place. To purchase a replacement, please contact [service@hecklerdesign.com](mailto:service@hecklerdesign.com).

4x

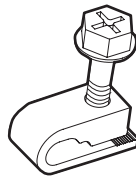


F631

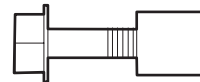
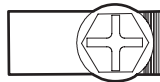


Assembly screws

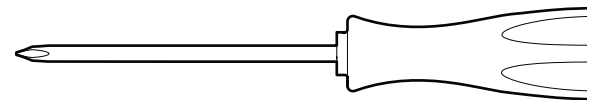
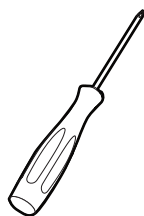
1x



Fxxx

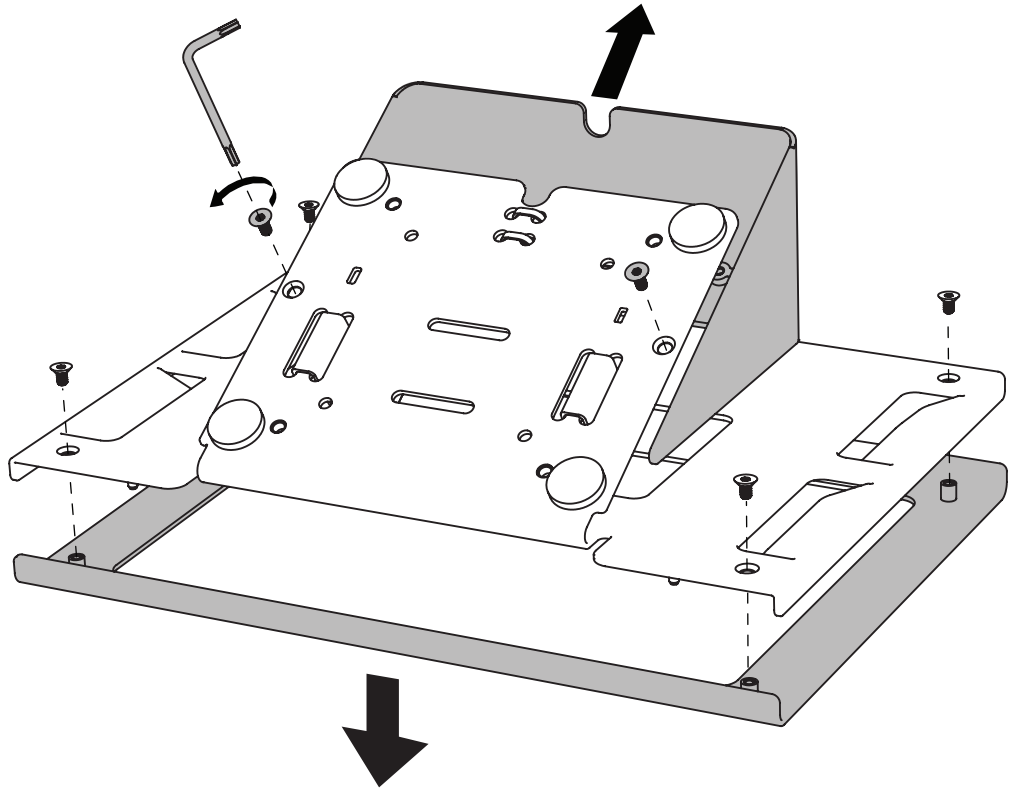


Cord anchor

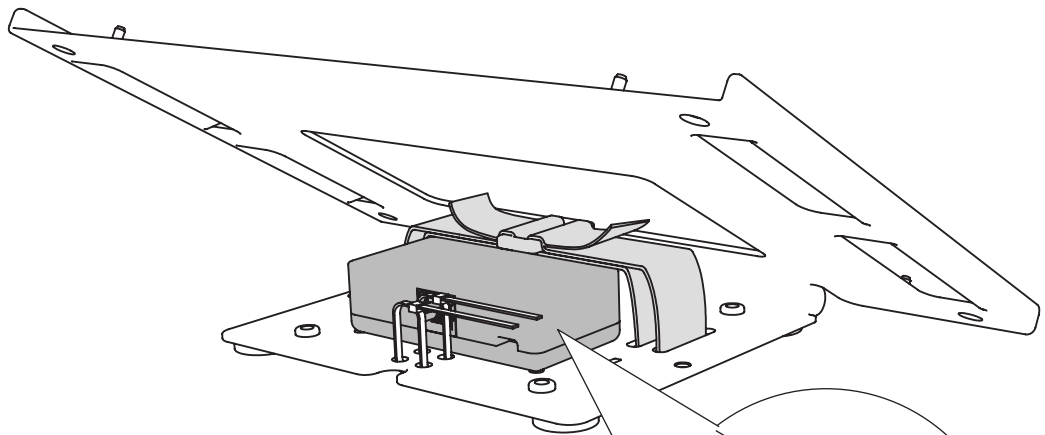
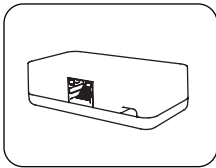


Phillips Screwdriver

# 1 Remove back cover and front bezel

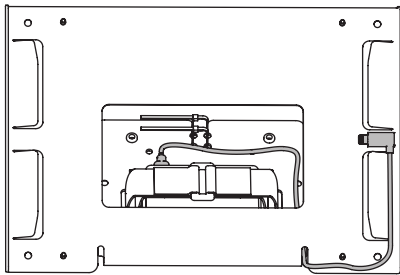
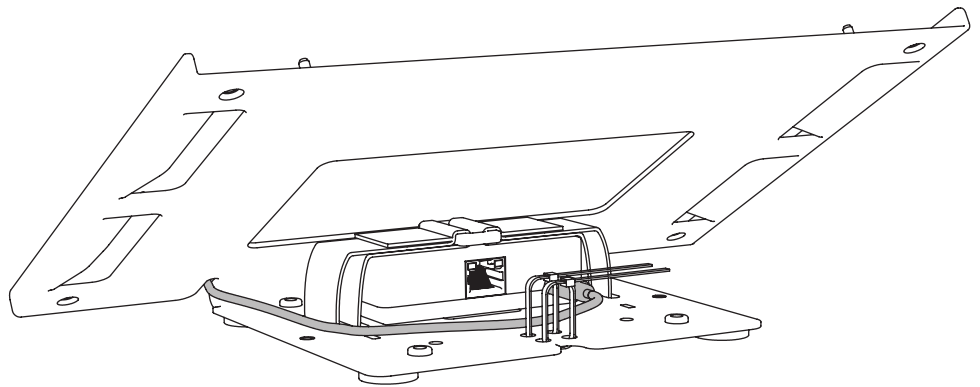
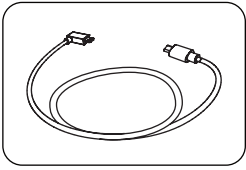


# 2 Velcro tie Redpark Gigabit + PoE Adapter for iPad

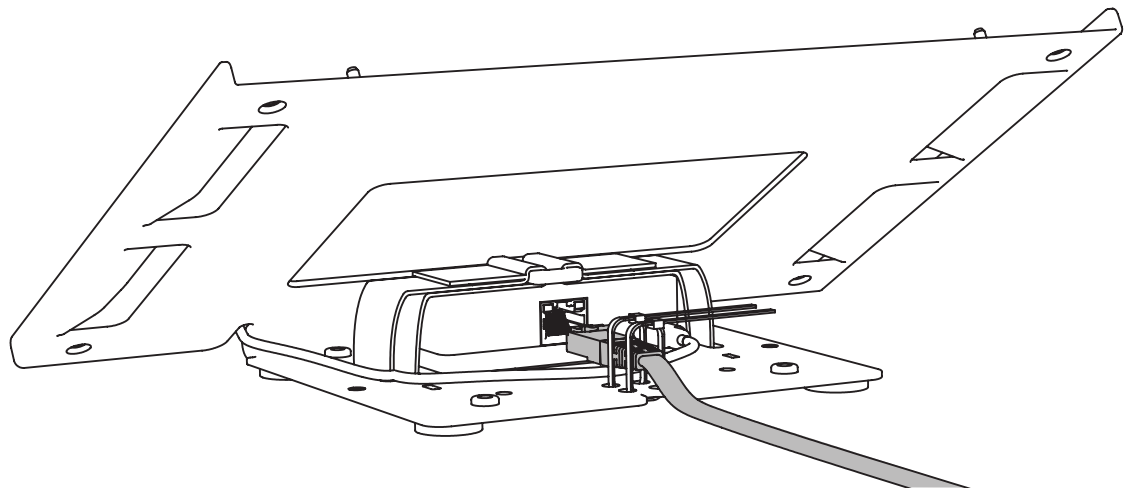
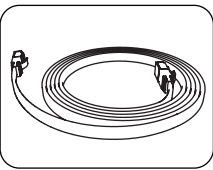


**i** Tighten velcro strap to secure PoE Adapter

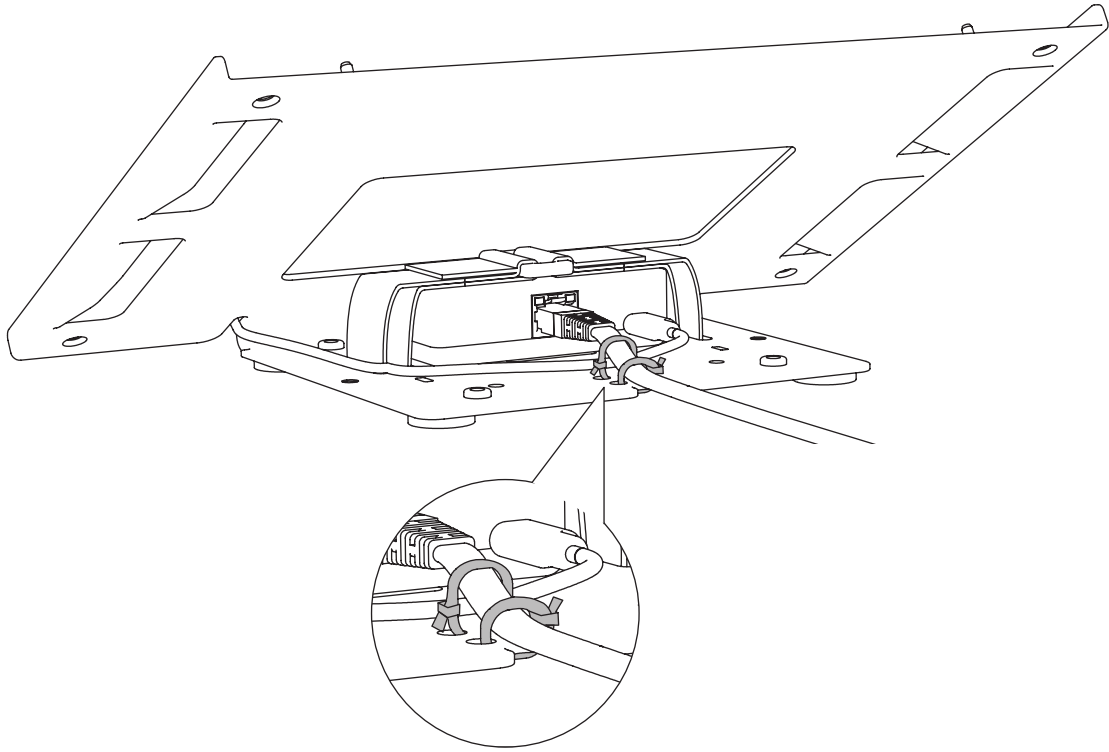
### 3 Plug in & route micro USB to Lightning cable



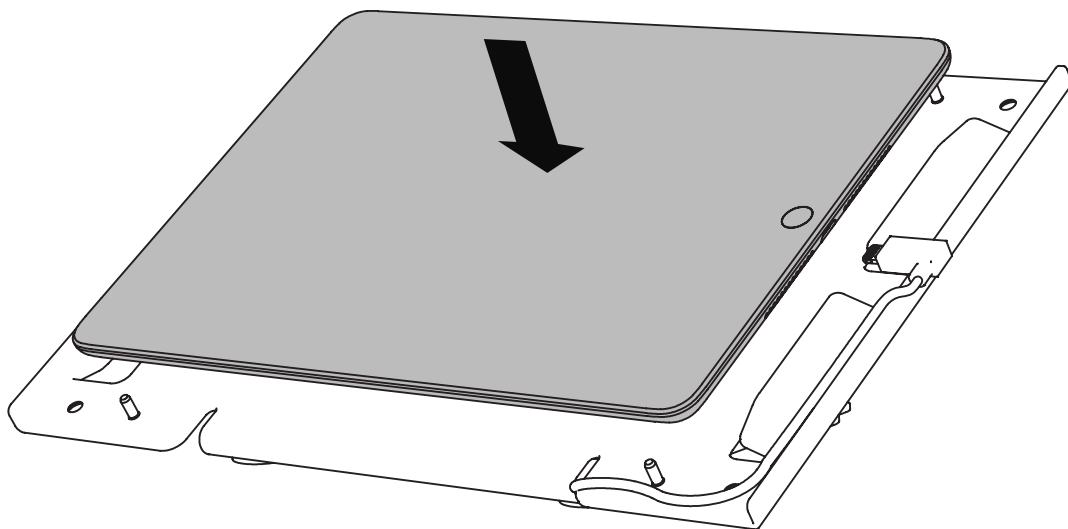
### 4 Plug in & Route CAT cable through zip ties



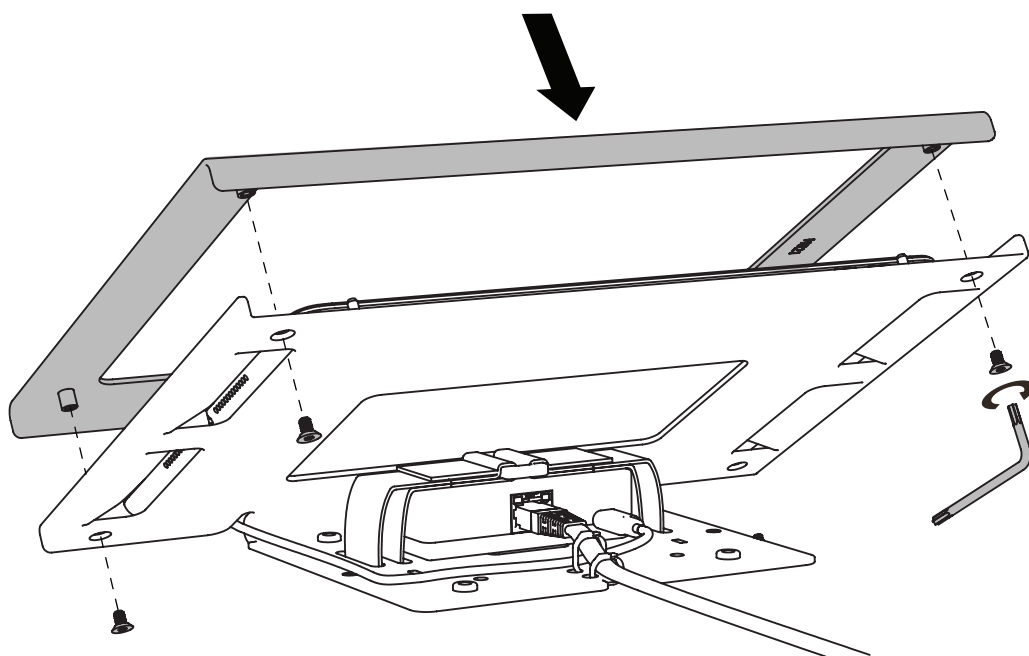
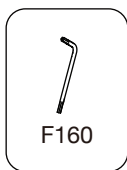
## 5 Tighten zip ties



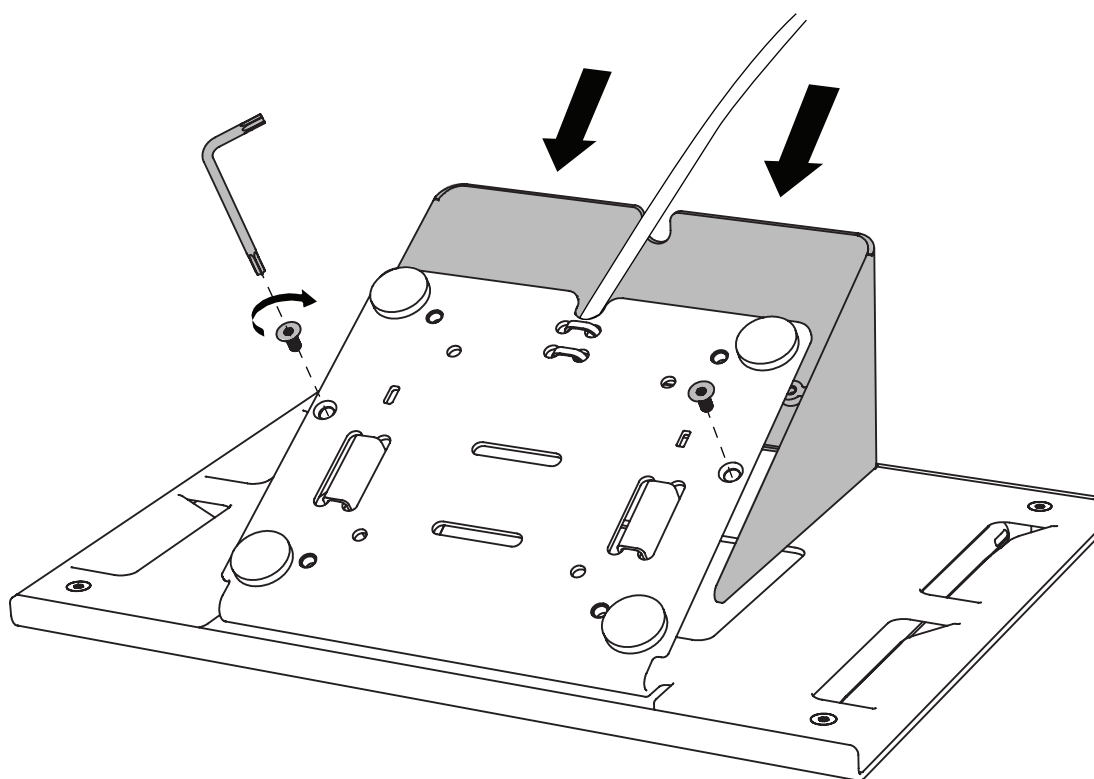
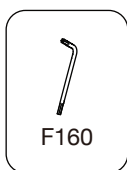
## 6 Install iPad and plug into power



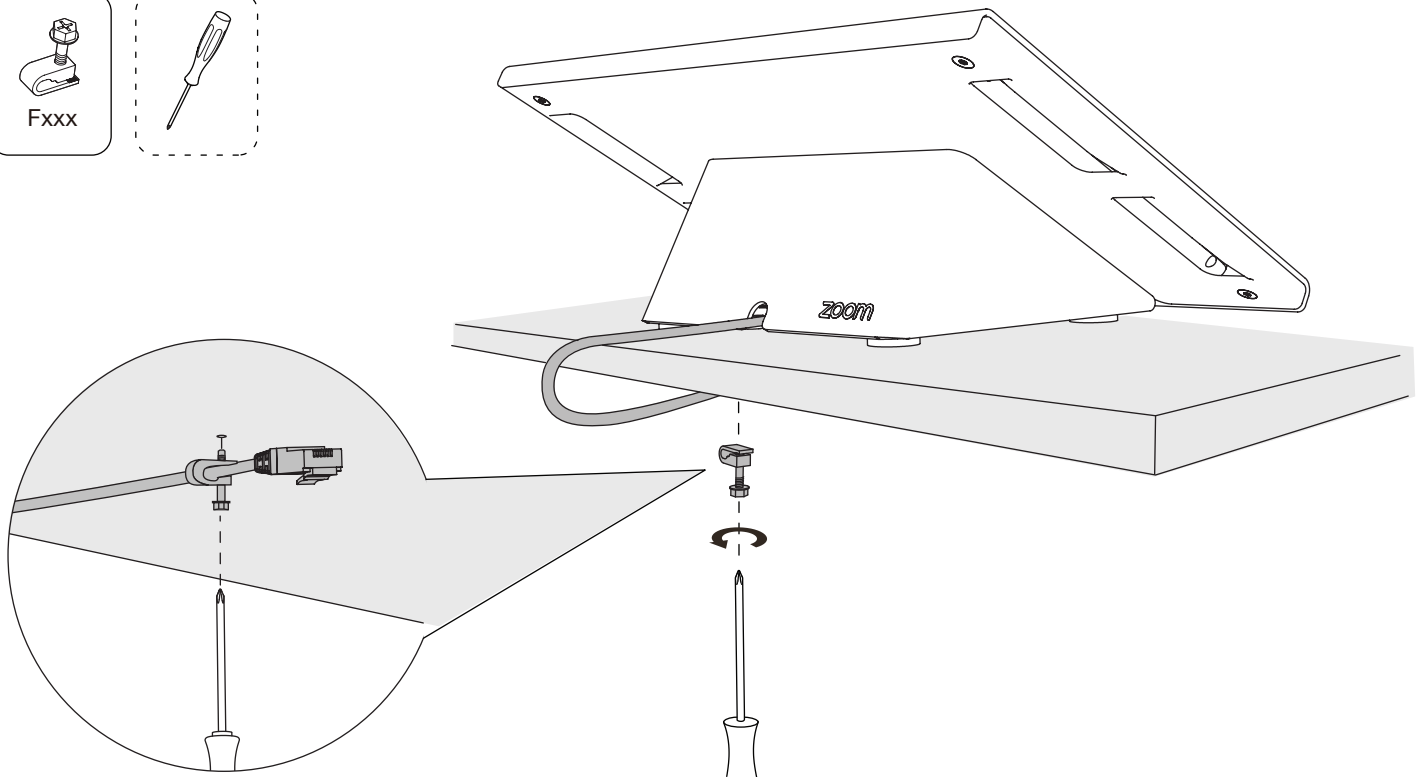
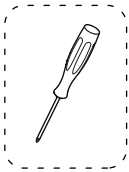
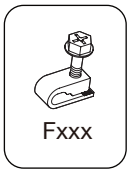
## 7 Reinstall front bezel



## 8 Reinstall back cover



## Optional: Anchor cable under table



## Optional: Install to Heckler AV Cart

